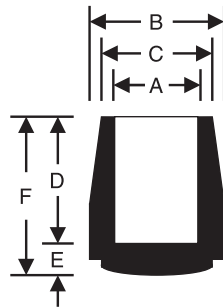


TIPS AND CAPS

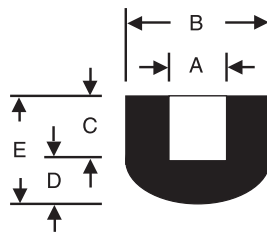
Tips



RPM Part Number	A Inside Diameter	B Outer Diameter	C Neck Diameter	D Inside Height	E End Thickness	F Total Height
TIP-101	7/32	15/32	3/8	11/16	7/32	29/32
TIP-102	19/64	15/32	3/8	11/16	7/32	29/32
TIP-103	13/32	9/16	15/32	11/16	7/32	29/32

Measured in inches

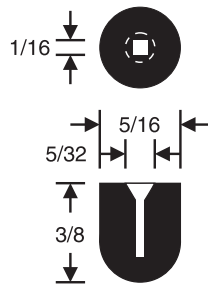
Caps



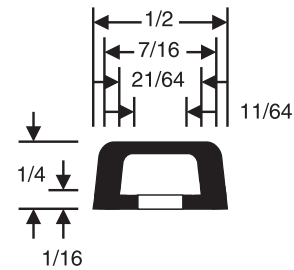
RPM Part Number	A Inside Diameter	B Outer Diameter	C Inside Height	D End Thickness	E Total Height
CAP-101	5/32	23/64	7/16	1/8	9/16
CAP-102	7/32	1/2	1/4	7/64	23/64
CAP-103	1/4	17/32	11/32	1/4	19/32

Measured in inches

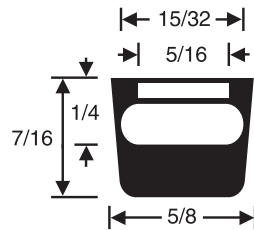
CAP-104



CAP-106



CAP-107

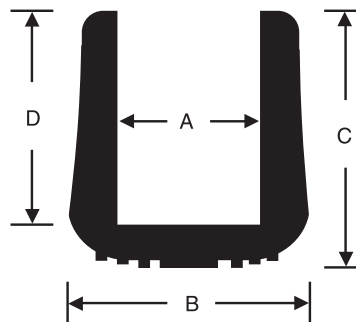


Measured in inches

Crutch, Stool and Furniture Tips

CRUTCH TIPS – STANDARD TYPES

All sizes are available in black with durometer 60. Other colours and durometers are available by special order.



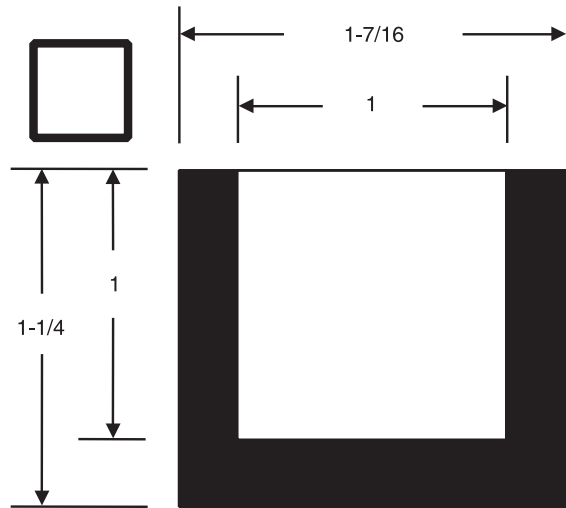
Measured in inches

RPM Part Number	A Inside Diameter	B Outer Diameter	C Total Height	D Inside Height	To Fit
TIP-16C	1/2	27/32	1-3/16	29/32	1/2
TIP-17C	19/32	1-5/32	1-9/32	1	5/8
TIP-18C	23/32	1-5/16	1-3/8	1-1/16	3/4
TIP-19C	13/16	1-13/32	1-1/2	1-1/8	7/8
TIP-20C	31/32	1-7/16	1-9/16	1-1/4	1
TIP-21C	1-1/16	1-21/32	1-21/32	1-11/32	1-1/8
TIP-22C	1-3/16	1-3/4	1-13/16	1-7/16	1-1/4

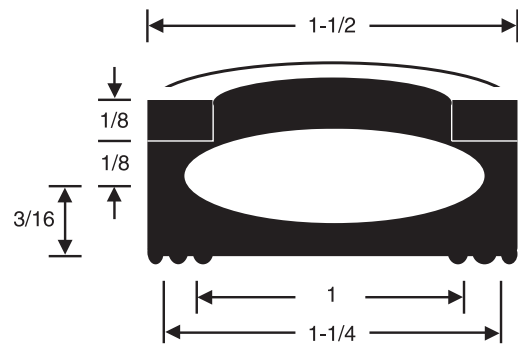
TIPS AND CAPS

Furniture Caps

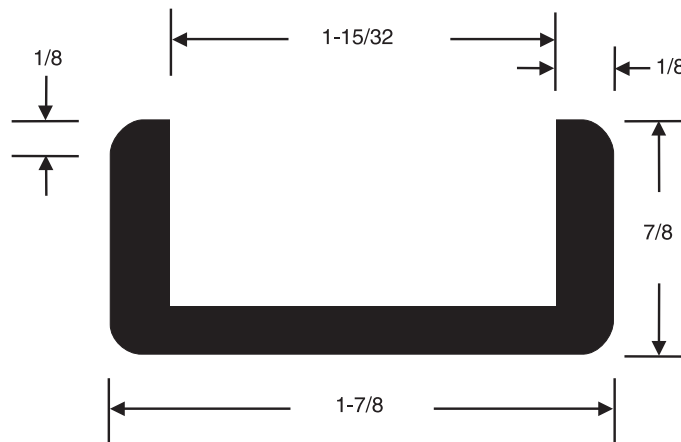
CAP-108



CAP-109



CAP-110



Measured in inches

UNABLE TO FIND THE PART YOU REQUIRE?

Contact our customer service representative for information on the many additional standard or custom parts we have available.