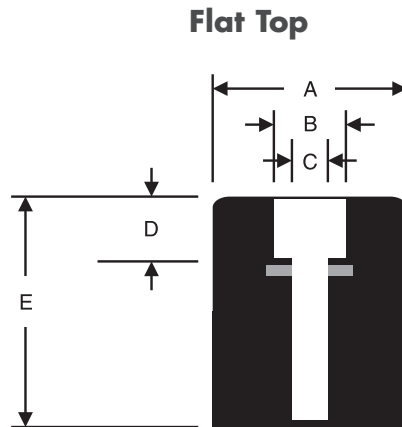




# RECESSED BUMPERS

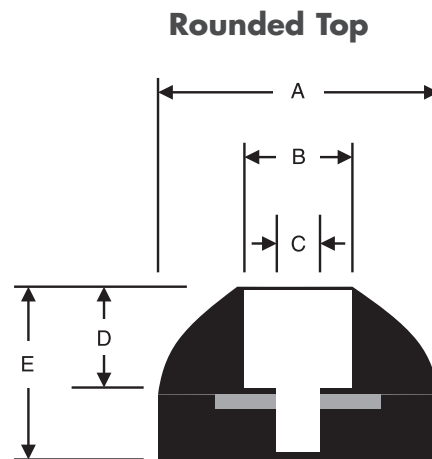


RPM Part Number	A Outside Diameter	B Recess Diameter	C Bore Diameter	D Recess Depth	E Total Height
RBW-0500-01	1/2	1/4	1/8	7/32	7/16
RBW-0625-01	5/8	1/4	1/8	5/32	9/32
RBW-0625-02	5/8	5/16	5/32	5/32	7/16
RBW-0718-01	23/32	1/4	1/8	7/32	7/16
RBW-0750-01	3/4	5/16	1/8	1/4	3/4
RBW-0750-02	3/4	3/8	3/16	1/4	9/16
RBW-1000-01	1	9/16	3/16	3/8	5/8
RBW-1000-02	1	3/8	5/32	1/4	1
RBW-1250-01	1-1/4	3/8	1/4	3/4	1-7/8
RBW-1250-02	1-1/4	3/8	1/4	3/4	1-1/4
RBW-1500-01	1-1/2	1/2	3/16	11/32	5/8
RBW-1500-02	1-1/2	3/4	5/16	11/32	5/8
RBW-1500-03	1-1/2	3/4	1/4	3/8	1-1/2

"W" indicates with Steel Washer. Recessed bumpers available upon request without steel washer inserts.

Measured in inches

# RECESSED BUMPERS



RPM Part Number	A Outside Diameter	B Recess Diameter	C Bore Diameter	D Recess Depth	E Total Height
RBW-0500-02	1/2	1/4	1/8	5/32	1/4
RBW-0500-03	1/2	7/32	1/8	3/32	3/16
RBW-0937-01	15/16	3/8	3/16	7/32	3/8
RBW-1000-03	1	1/4	1/8	7/16	13/16
RBW-1000-04	1	9/32	5/32	9/32	1/2
RBW-1000-05	1	3/8	3/16	3/16	7/16
RBW-1000-06	1	5/16	5/32	5/8	1

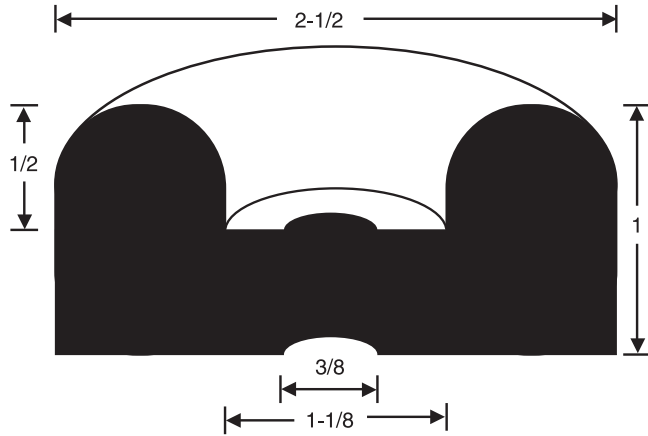
"W" indicates with Steel Washer. Recessed bumpers available upon request without steel washer inserts.

Measured in inches

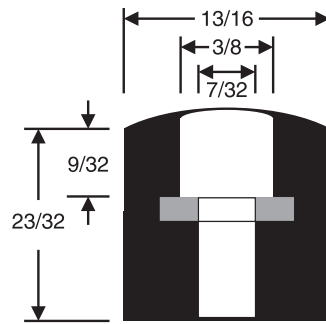
# RECESSED BUMPERS

## Recessed Bumpers/Bumper Pads

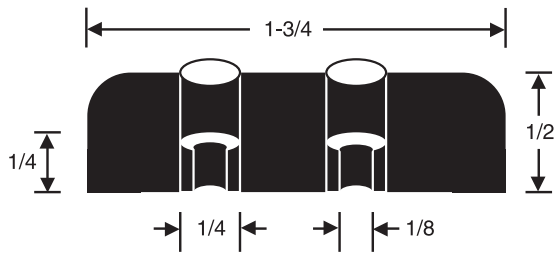
**RB-2500-01**



**RBW-0718-02**

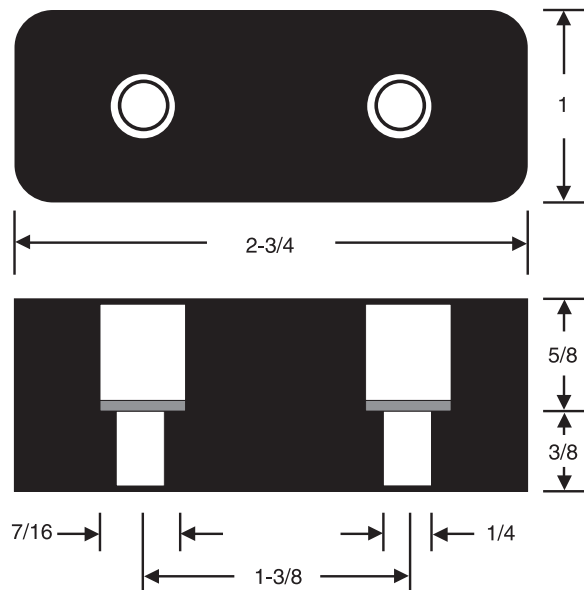


**RBW-1750-01**



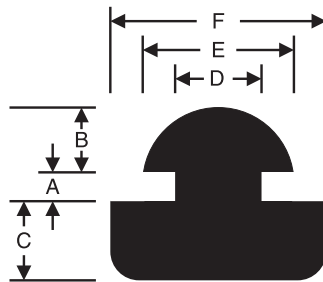
5/8-in. width

**RBW-2750-01**



Measured in inches

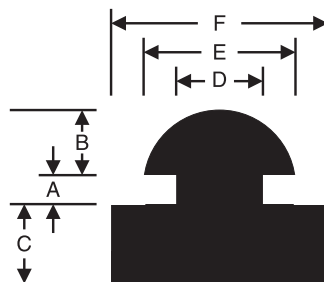
## Grommet Bumper A



RPM Part Number	A Groove Width	B Head Height	C Base Height	D Groove Diameter	E Head Diameter	F Base Diameter
PB-0500-01	1/16	1/8	5/32	1/4	5/16	1/2

Measured in inches

## Grommet Bumper B

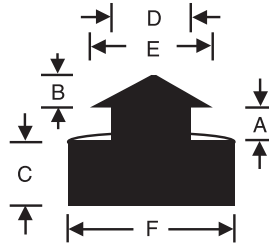


RPM Part Number	A Groove Width	B Head Height	C Base Height	D Groove Diameter	E Head Diameter	F Base Diameter
PB-0375-01	1/32	7/64	3/32	5/32	7/32	3/8
PB-0500-02	1/16	1/8	1/4	1/4	5/16	1/2
PB-0562-01	1/16	3/32	5/32	11/32	13/32	9/16
PB-0562-02	1/8	1/8	1/8	1/4	11/32	9/16
PB-0625-01	1/8	11/64	11/32	9/32	7/16	5/8
PB-1000-01	3/16	3/16	5/16	1/2	11/16	1

Measured in inches

# BUMPERS

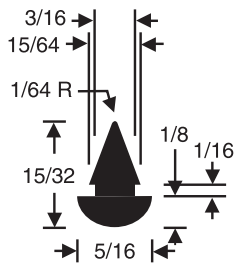
## Grommet Bumper C



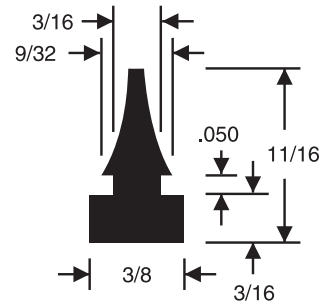
RPM Part Number	A Groove Width	B Head Height	C Base Height	D Groove Diameter	E Head Diameter	F Base Diameter
PB-0313-01	3/64	3/32	1/8	3/16	1/4	5/16
PB-0313-02	1/16	1/16	1/8	3/16	1/4	5/16
PB-0375-02	1/32	1/8	5/32	1/4	5/16	3/8
PB-0437-01	3/64	1/8	3/16	1/4	5/16	7/16
PB-0437-02	3/64	1/8	3/32	1/4	5/16	7/16
PB-0625-02	3/32	1/8	1/4	5/16	3/8	5/8

Measured in inches

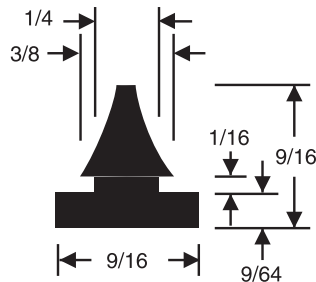
### PB-0313-03



### PB-0375-06

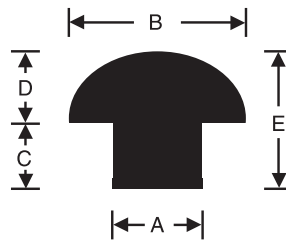


### PB-0562-03



Measured in inches

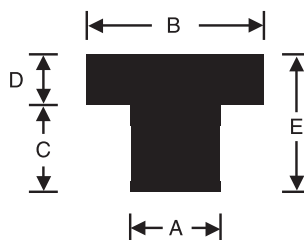
## Rounded Top



RPM Part Number	A Stem Diameter	B Head Diameter	C Stem Length	D Head Height	E Overall Height
PB-0313-04	3/16	11/32	3/16	5/32	11/32
PB-0625-03	5/16	5/8	1/4	5/16	9/16
PB-0750-02	3/8	3/4	3/8	3/8	3/4

Measured in inches

## Flat Top

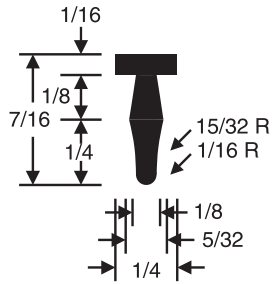


RPM Part Number	A Stem Diameter	B Head Diameter	C Stem Length	D Head Height	E Overall Height
PB-0453-01	19/64	29/64	5/16	5/32	15/32
PB-0500-06	17/64	1/2	17/64	7/64	3/8
PB-0640-01	29/64	41/64	25/64	7/64	1/2
PB-1250-01	3/4	1-1/4	11/16	1/4	15/16

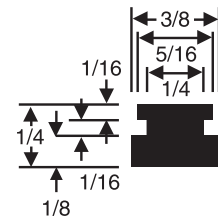
Measured in inches

# BUMPERS

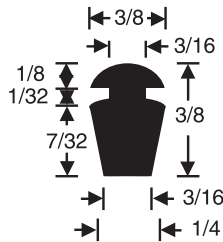
**PB-0250-01**



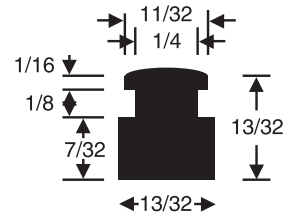
**PB-0375-03**



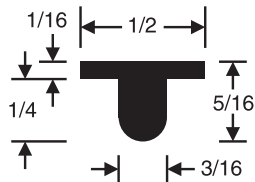
**PB-0375-04**



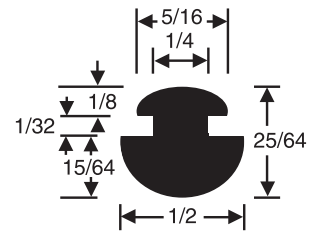
**PB-0406-01**



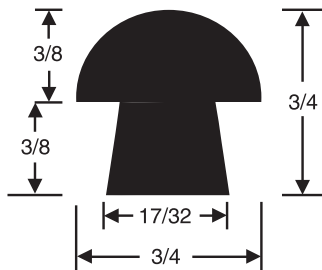
**PB-0500-04**



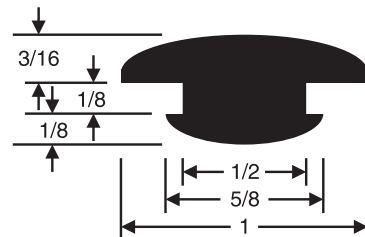
**PB-0500-05**



**PB-0750-01**



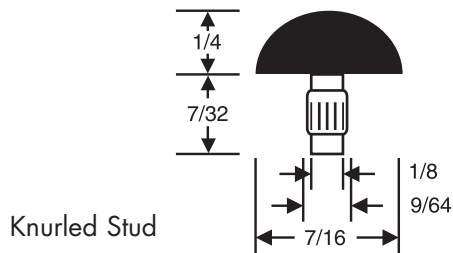
**PB-1000-02**



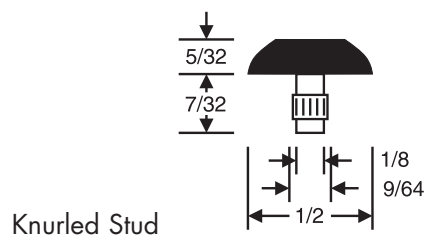
Measured in inches



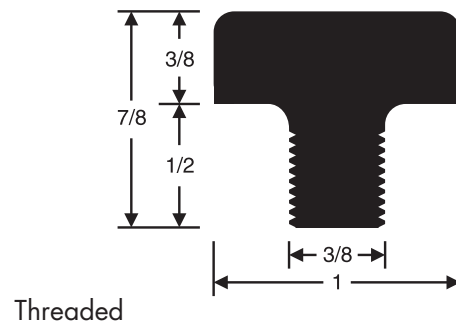
## PB-0437-KS-01



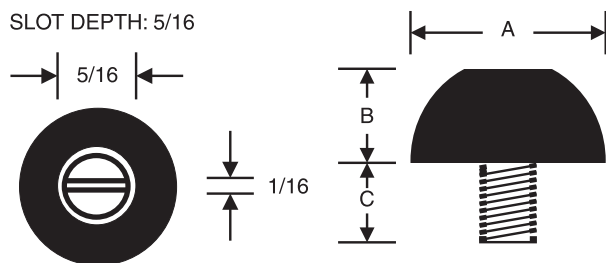
## PB-0500-KS-01



## PB-1000-TS-01



### Machine Screws



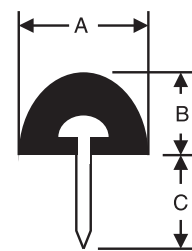
8-32 Thread

RPM Part Number	A Head Diameter	B Head Height	C Screw Height
PB-0750-MS-01	3/4	7/16	3/8
PB-0875-MS-01	7/8	1/2	1/4

Measured in inches

### Rubber Headed Tack Bumpers

Tack bumpers are available in black or white.











RPM Part Number	A Head Diameter	B Head Height	C Tack Height
TACK-0375-B	3/8	1/4	3/8
TACK-0375-W	3/8	1/4	3/8
TACK-0500-B	1/2	5/16	3/8
TACK-0500-W	1/2	5/16	3/8
TACK-0625-B	5/8	3/8	3/8
TACK-0625-W	5/8	3/8	3/8
TACK-0750-B	3/4	7/16	1/2
TACK-0750-W	3/4	7/16	1/2

# BUMPERS

**3M Canada Bumpon™ products** are made of a permanently resilient polyurethane polymer formulated especially for its unique high coefficient of friction, non-slip, non-marring features. An aggressive, high tack,

pressure sensitive adhesive protected with an easy release liner makes application fast and easy. Available in black, white, grey, brown, clear and semi-transparent.

	RPM Part Number	Width Eng ±0.02 in	Width Metric ±0.5 mm	Height Eng ±0.02 in	Height Metric ±0.5 mm	Type
	SJ-5003	0.44	11.1	0.20	5.0	Hemisphere
	SJ-5008	0.50	12.7	0.12	3.1	Tapered Square
	SJ-5009	0.88	22.3	0.40	10.1	Circular Depressed
	SJ-5012	0.50	12.7	0.14	3.5	Cylindrical
	SJ-5018	0.50	12.7	0.23	5.8	Tapered Square
	SJ-5023	0.81	20.6	0.30	7.6	Tapered Square
	SJ-5027	0.63	16.0	0.31	7.9	Hemisphere
	SJ-5532	1.88	47.7	0.66	16.7	Circular Depressed

## UNABLE TO FIND THE PART YOU REQUIRE?

Contact our customer service representative for information on the many additional standard or custom parts we have available.